

SMITH

FILTER CORPORATION

NS-50 & NS-100

FILTER HOLDING FRAMES



The rugged 16 gauge Galvanized Steel Holding Frames designed to hold all Smith Filters, individually or in large filter banks, are the

NS-50 & NS-100 FILTER HOLDING FRAMES

These frames are designed for a wide variety of applications from a paint booth wall to a bank of bag filters in an air handling unit.

SMITH

FILTER CORPORATION

www.smithfilter.com

5000 - 41st Street Court * Moline, IL 61265-7583 USA

LOCAL: 309-764-8324 * WATS: 800-447-4009 * FAX: 309-764-6816

NS-50 & NS-100 FILTER HOLDING FRAMES

MODEL NS-100

Made from heavy 16 gauge Galvanized Steel, the NS-100 FILTER HOLDING FRAME is designed for building either small or large filter banks to hold a wide range of filters from the throwaway type filter to a high efficiency HEPA filter. An interlocking lip provides a solid, durable, vibrationless filter bank, simple yet economical to erect. Lip construction on two sides of the frame join with male sides of adjacent frames for rigidity.

GASKETS AND CLIPS - Included with the NS-100 FILTER HOLDING FRAME is a foam gasket, applied on the inside lip. This foam gasket prevents air bypass between the frame and the filter. Galvanized Ludwig clips are also included with the NS-100. These clips are spring loaded to hold the filter firmly in place.

STOCK SIZES - The NS-100 stock sizes are "actual sizes" and those are: 16x20, 16x25, 20x20, 20x24, 20x25, 24x24, and 12x24. These are all 2 1/8" deep.

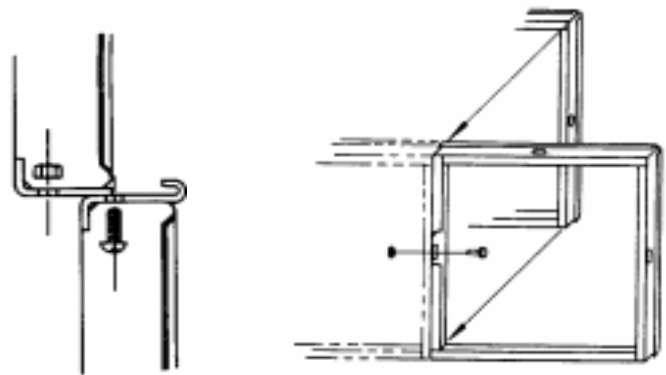
SPECIALS - Special sizes are available in the NS-100 FILTER HOLDING FRAMES. Please indicate exact height, width and depth needed. Minimum size for a special is 6" and maximum is 60". 3" and 4" frames are available as well as 16", 20" and 24" V-Brackets. Clips to hold a 1", 3" and 4" filter, as well as P Clips are available at an additional cost. This frame can also come in 16 gauge Aluminum.



NS-50
FILTER HOLDING FRAME



NS-100
FILTER HOLDING FRAME



NS-50

The NS-50 FILTER HOLDING FRAME is the economical version of the NS-100. This Holding Frame is designed for small banks and individual uses where a straight sided holding frame is required. Made with heavy 16 gauge Galvanized Steel, these frames are pre-punched for easy bolt assembly. If necessary, frames can be welded together for a more permanent bank. The foam gasket and clips are not included in the price of the NS-50 but can be installed upon request.

STOCK SIZES - The NS-50 and the NS-100's have the same stock sizes. (See "Stock Sizes" under NS-100). These sizes are also exact and are 2 1/8" deep.

SPECIAL SIZES - The NS-50 is available in a wide range of sizes with a minimum size of 6" and a maximum is 60". Frames also available in 16 gauge Aluminum and Stainless Steel. A wide variety of clip are available including Ludwig and P-Clips.